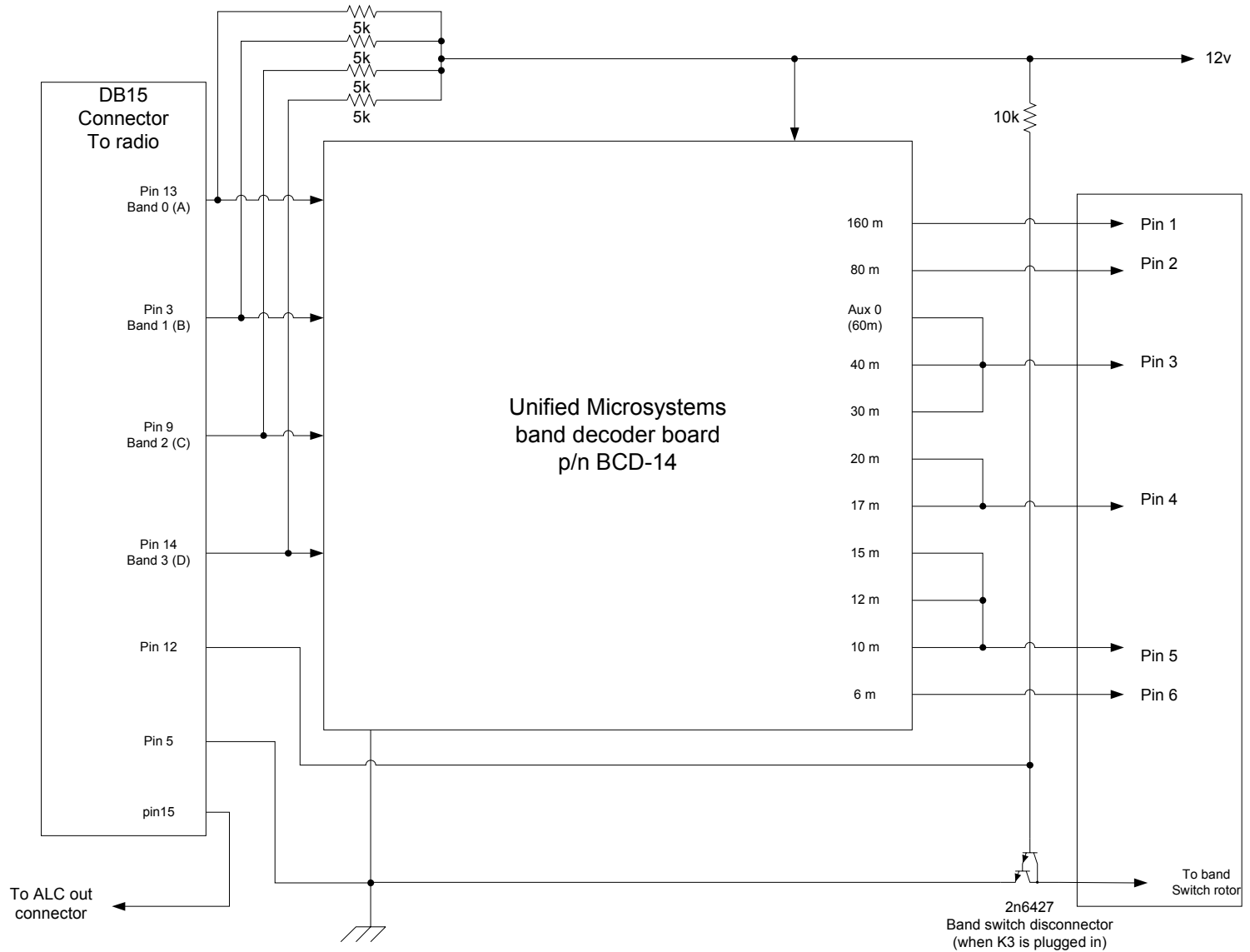


Power supply AC line (remote AC switch)



1.8 to 54 MHz dual directional detector

set up as a band select safety sensor

D2 is mounted up-side down to produce positive output

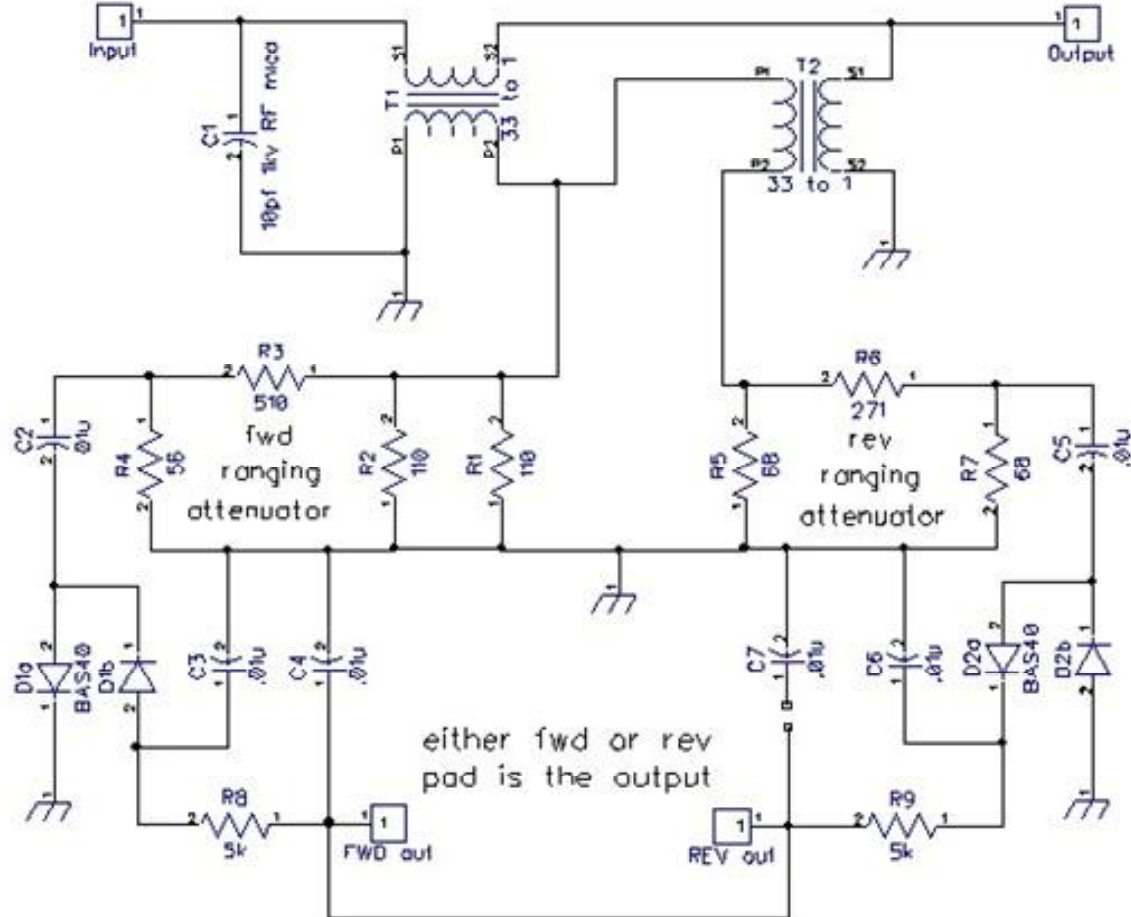
R6 is set so it's detected output will be 6db greater than FWD output

outputs of both detectors are summed through R8 and R9

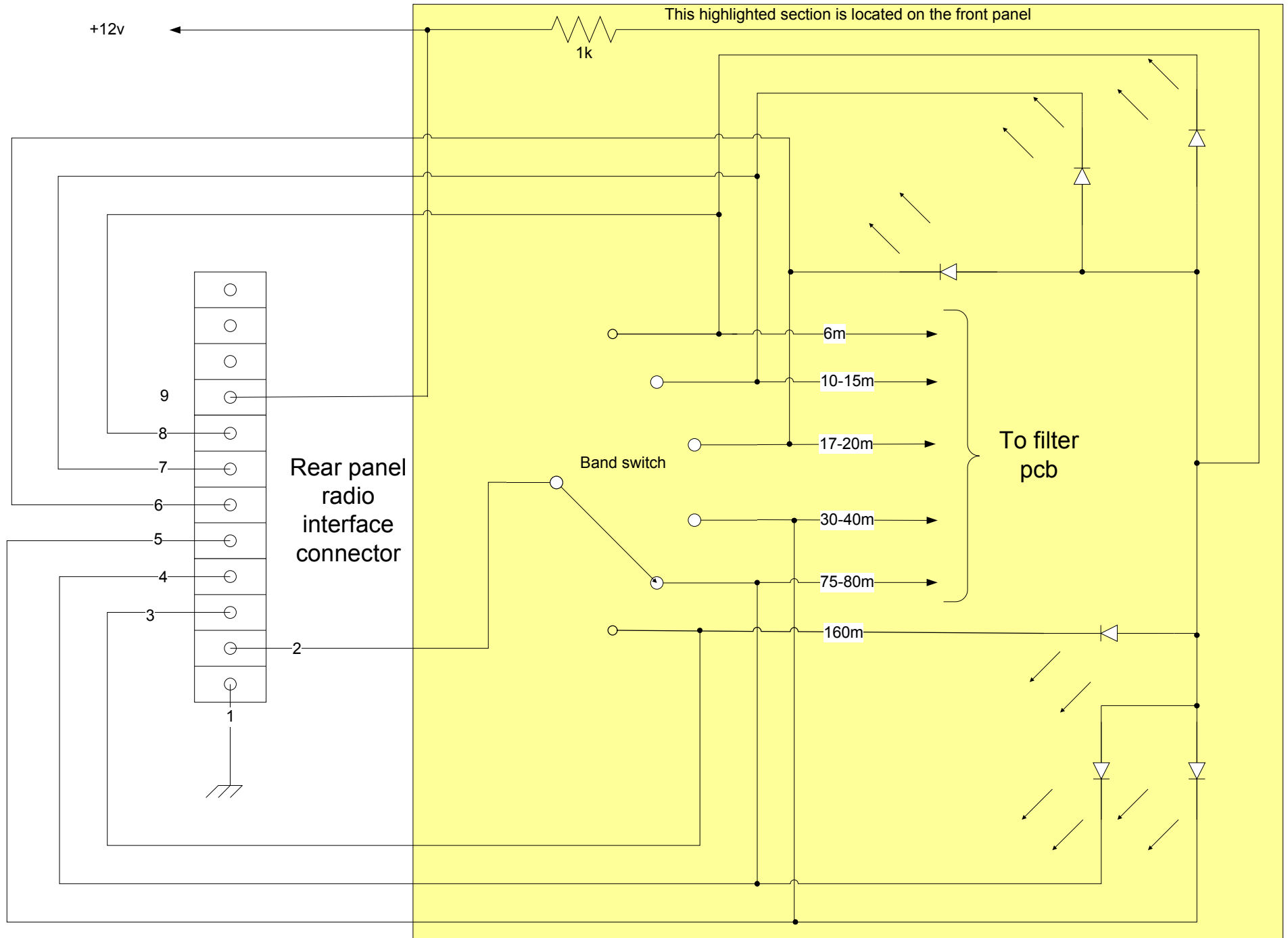
fwd will dominate (neg output) until rev power is within 6db of fwd power

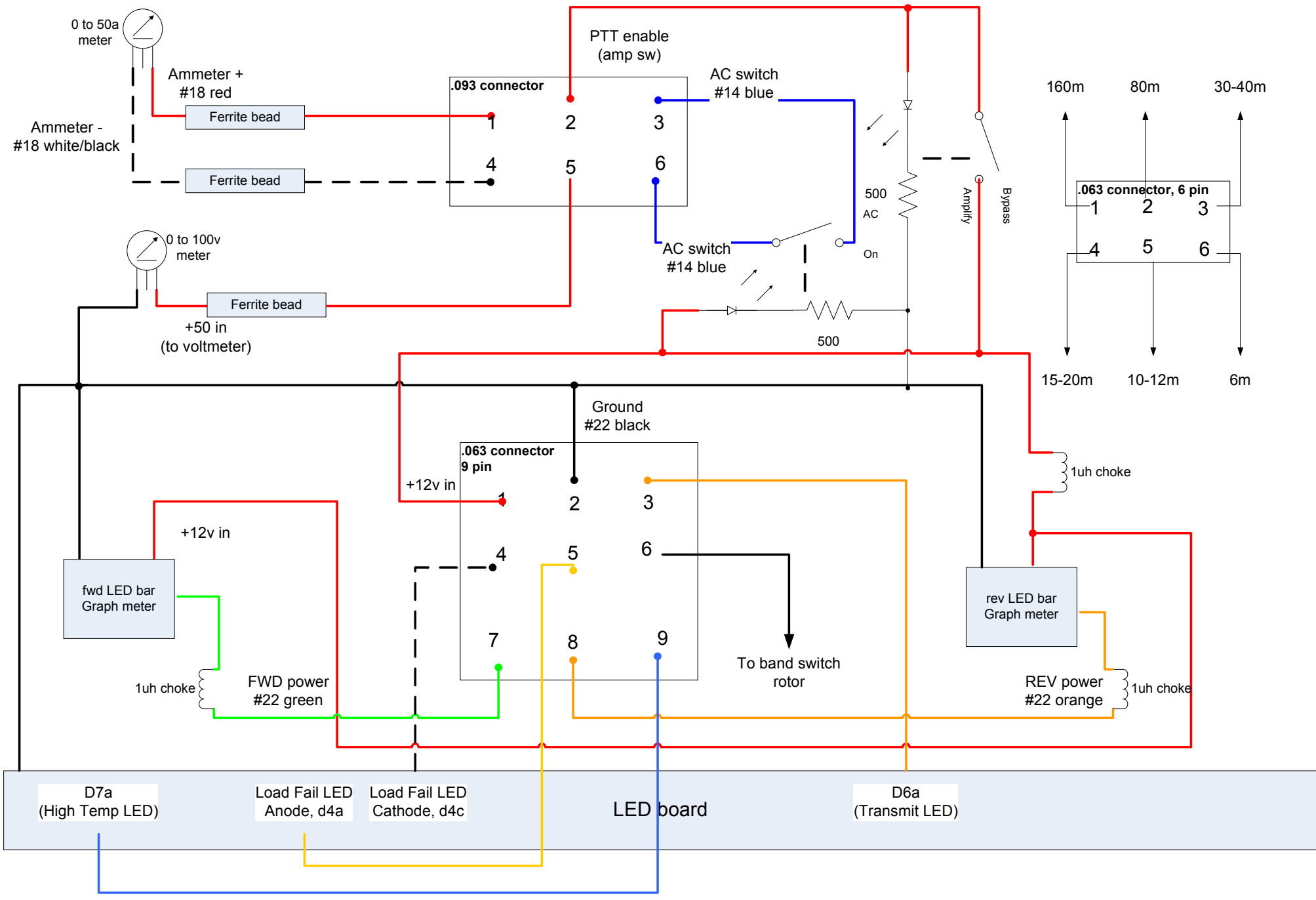
then output will be positive. This output goes to the positive

input on the control board (j3) to force a lockout



Band switch and rear panel interface connections





Main Power connector

