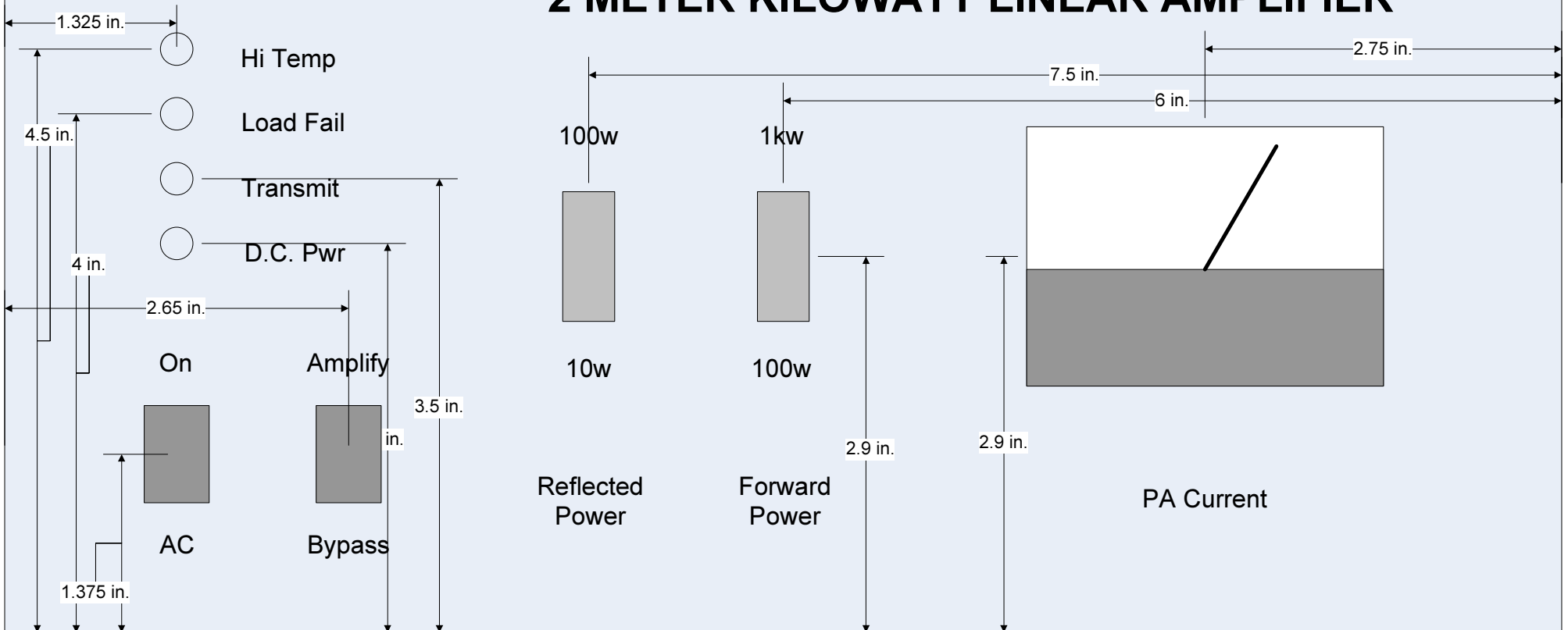
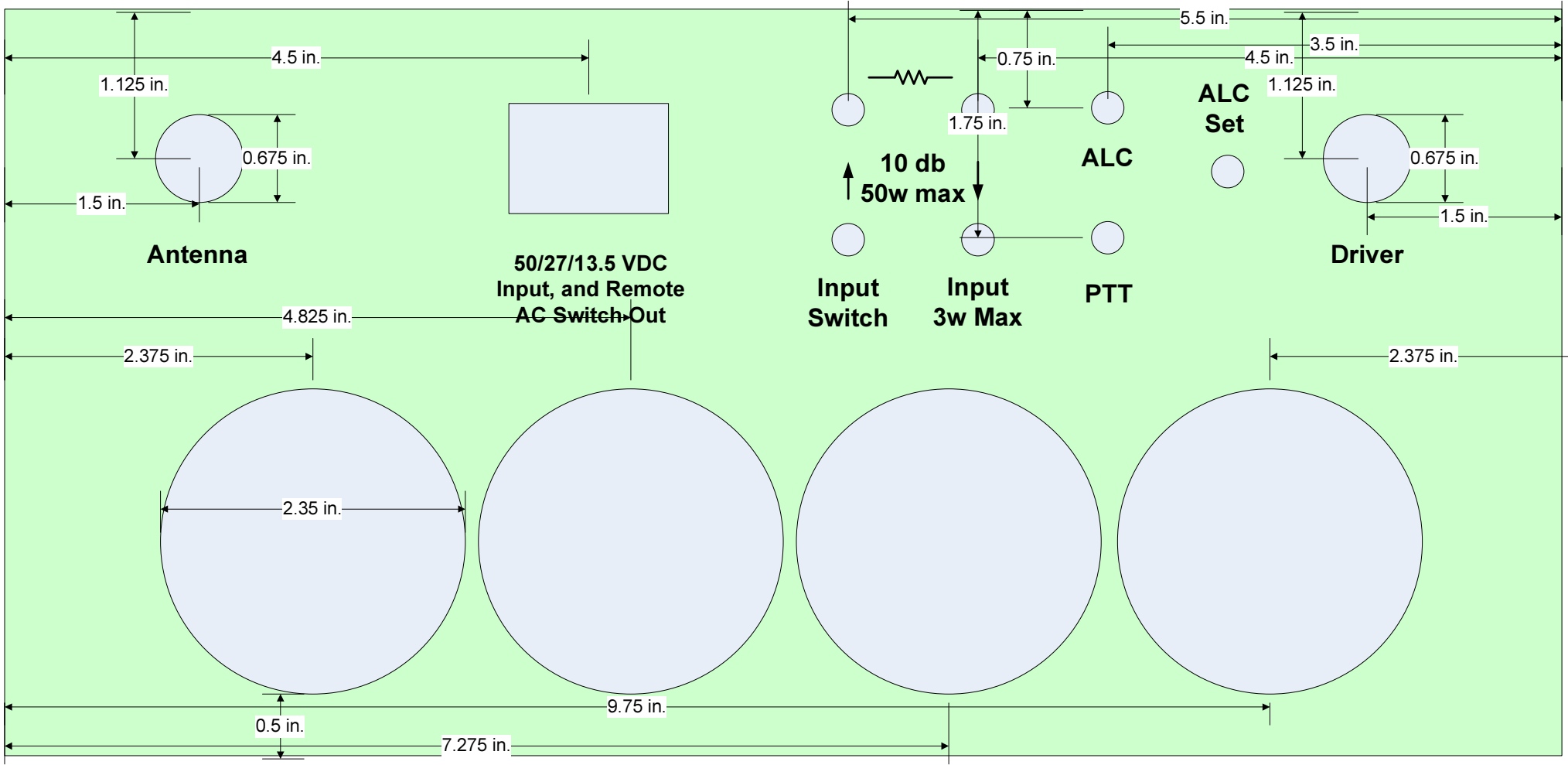
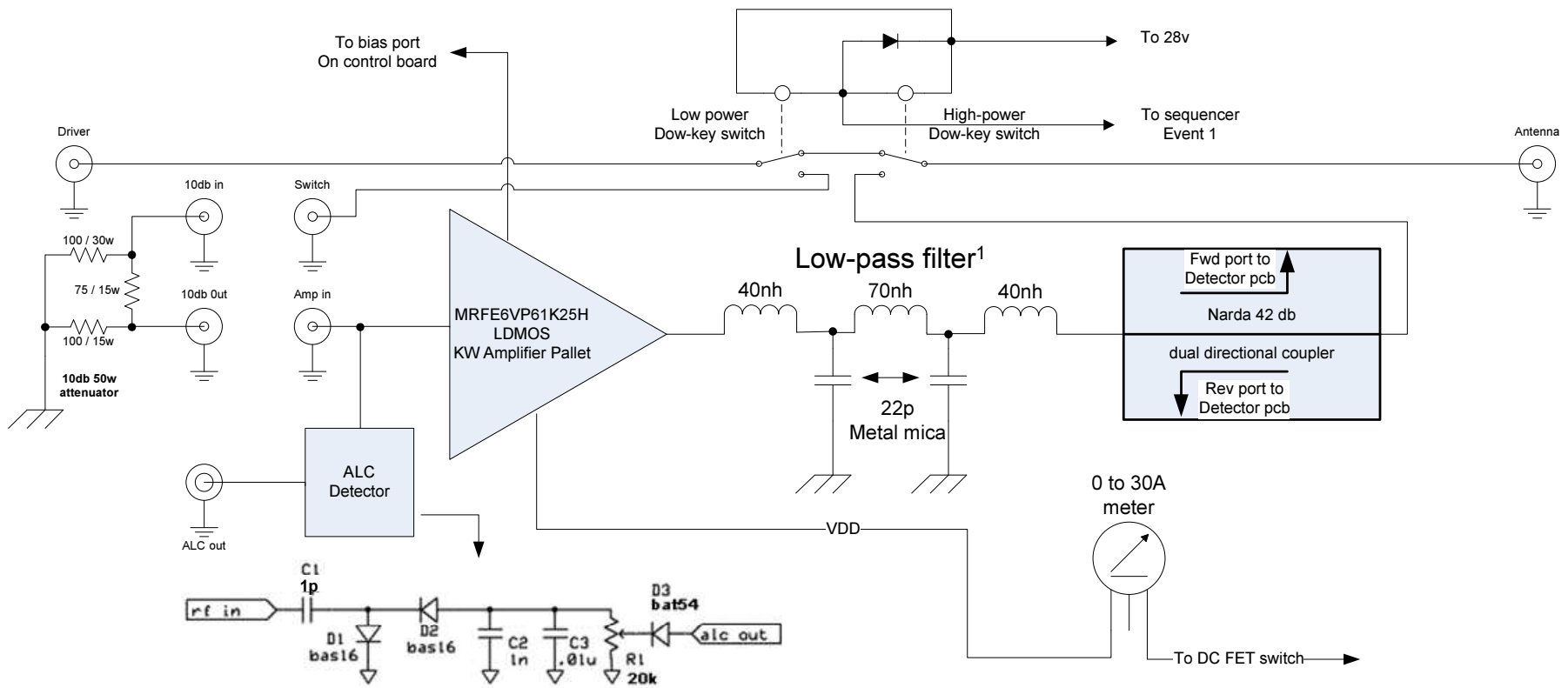


2 METER KILOWATT LINEAR AMPLIFIER

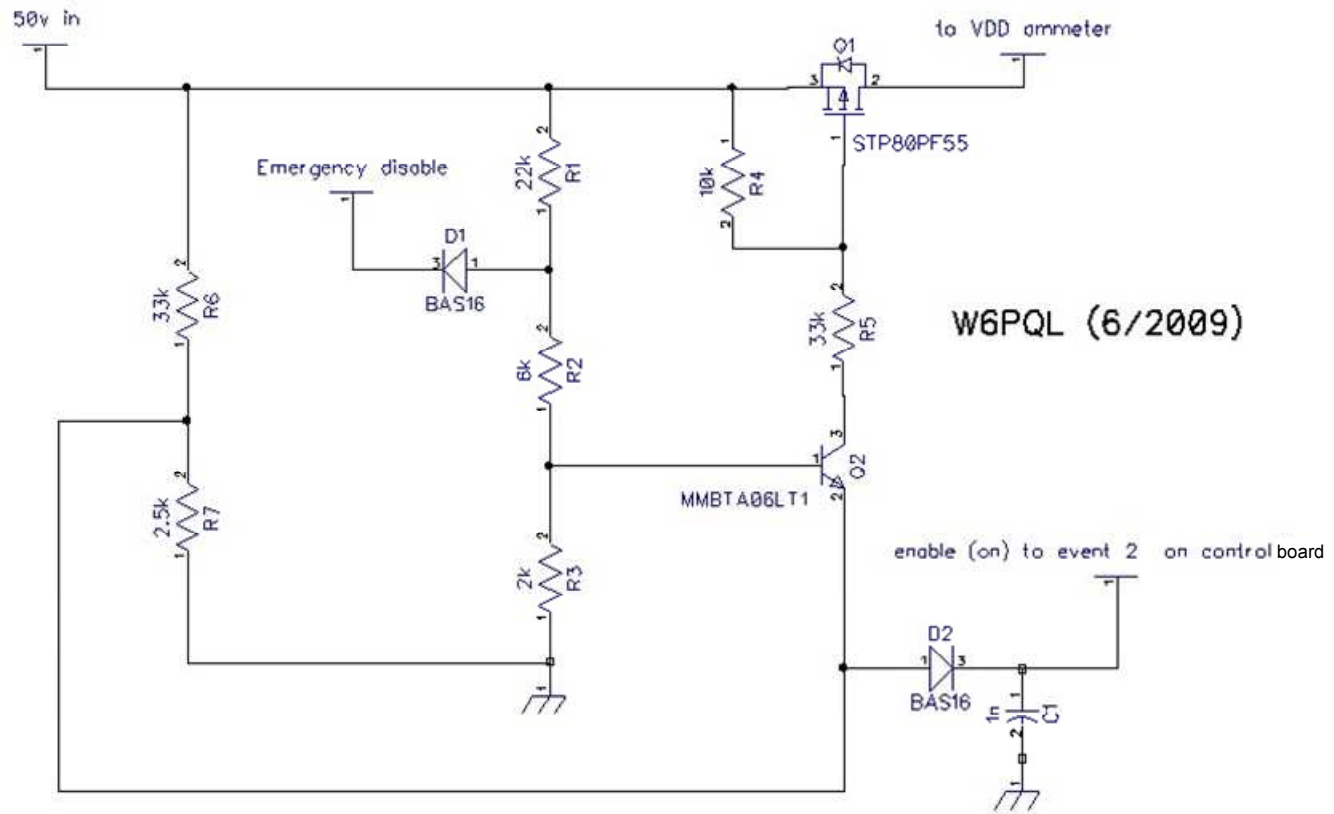




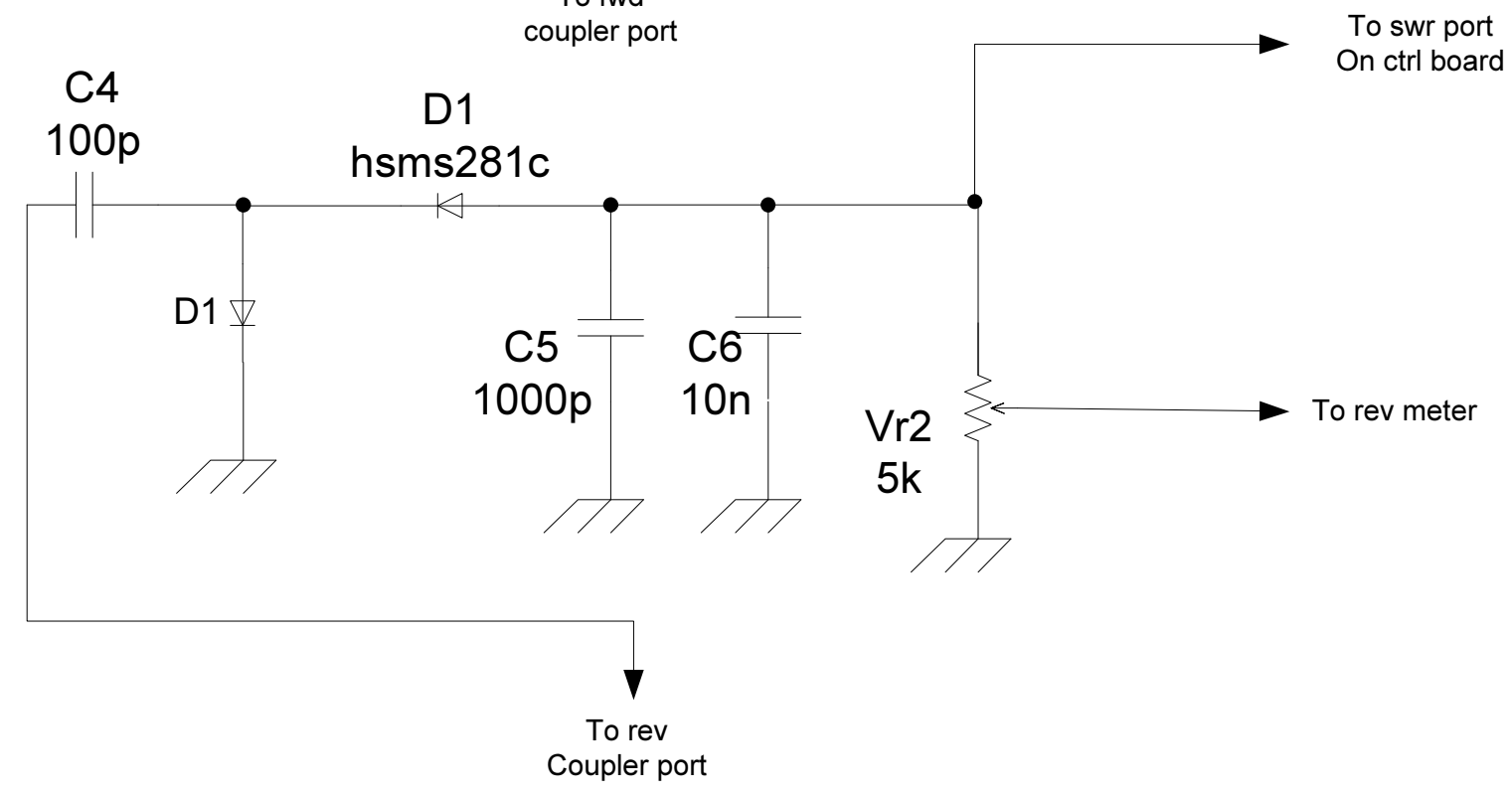
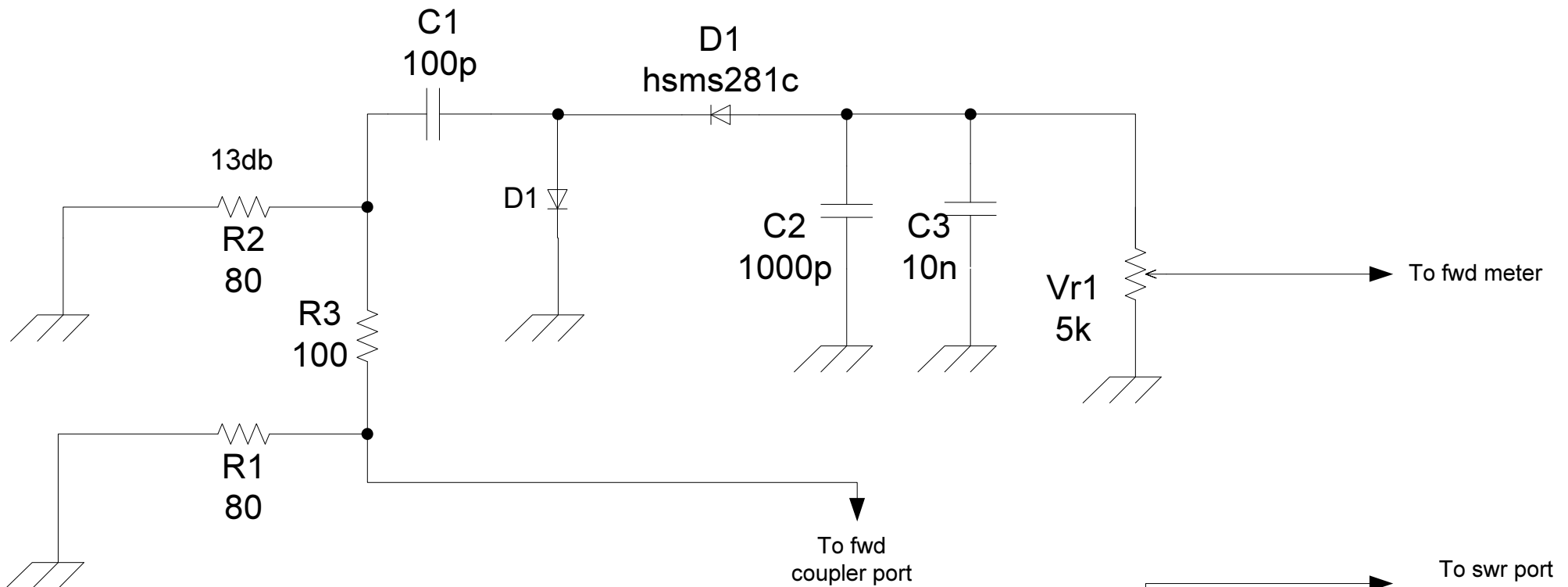


1. insertion loss < .05db @ 144 MHz. Return loss > 25db. Attenuation > 18db @ 288 MHz, and > 30 db @ 432 MHz. Inductors are 2t #14 solid, space-wound, 11/32" diameter, and 4t, 5/16 dia.

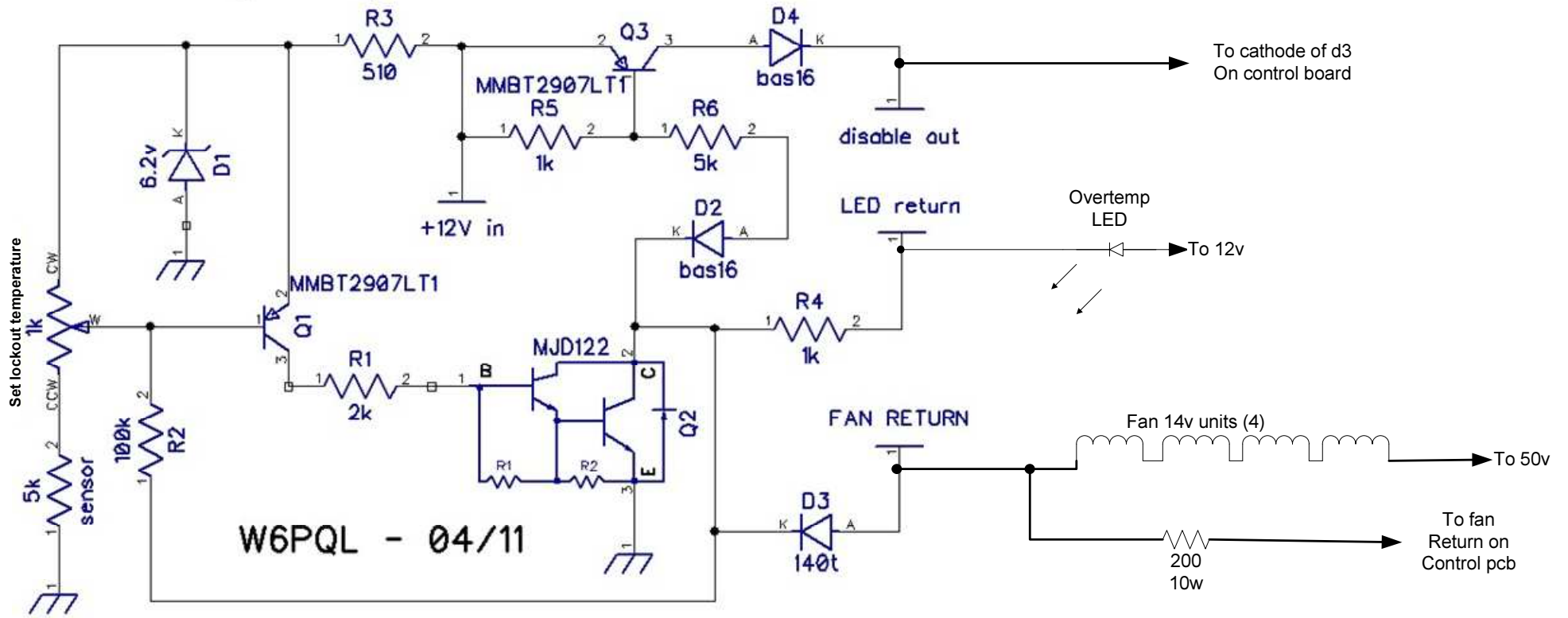
SSPA Power Switch



W6PQL (6/2009)



High Temperature Lockout Switch

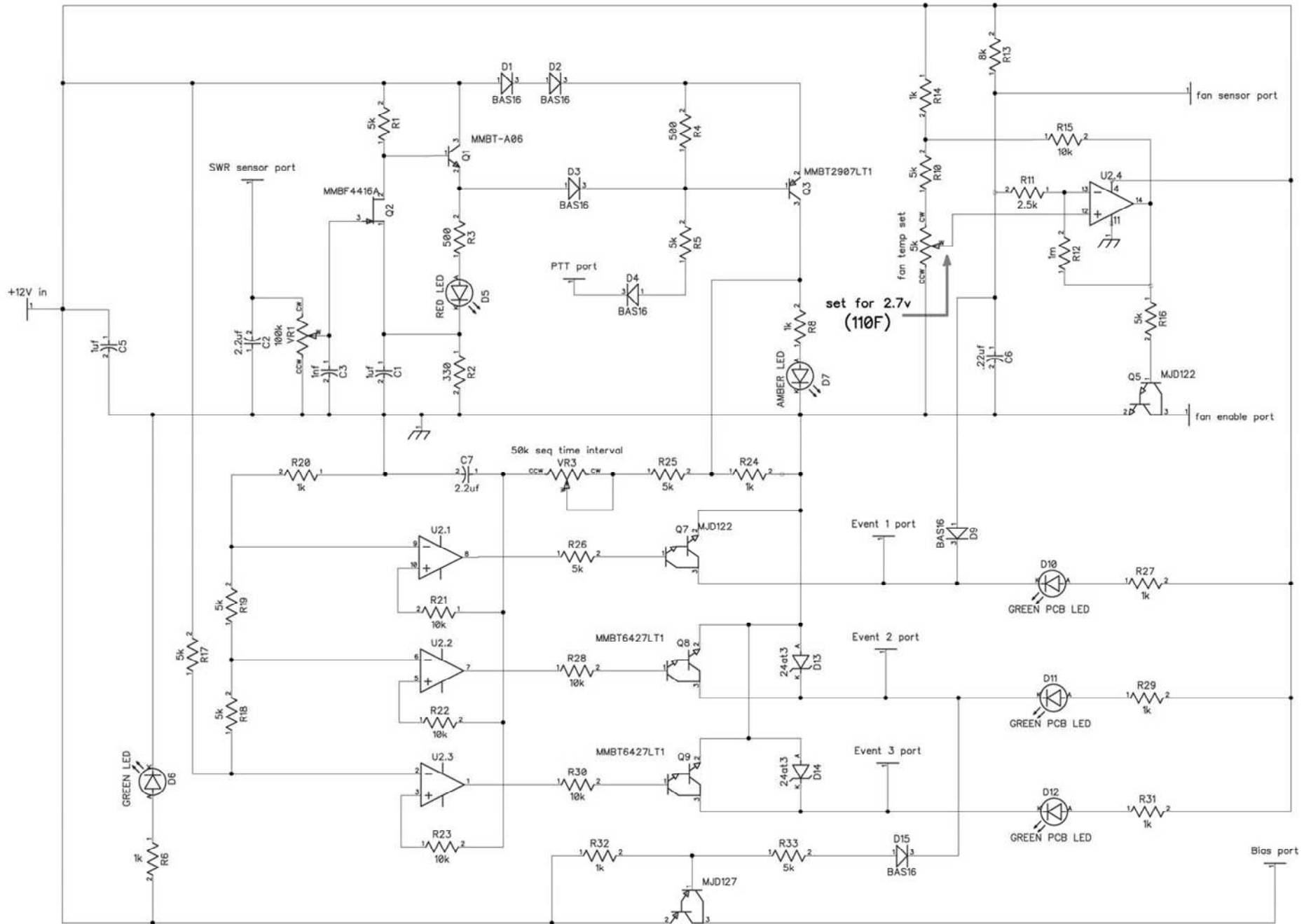


Multifunction Amplifier Control Board, 12v setup

High VSWR cut-off latch

PTT switch

Fan Switch



Sequencer

Bias switch

W6PQL - 5/2011

Main Power connector

