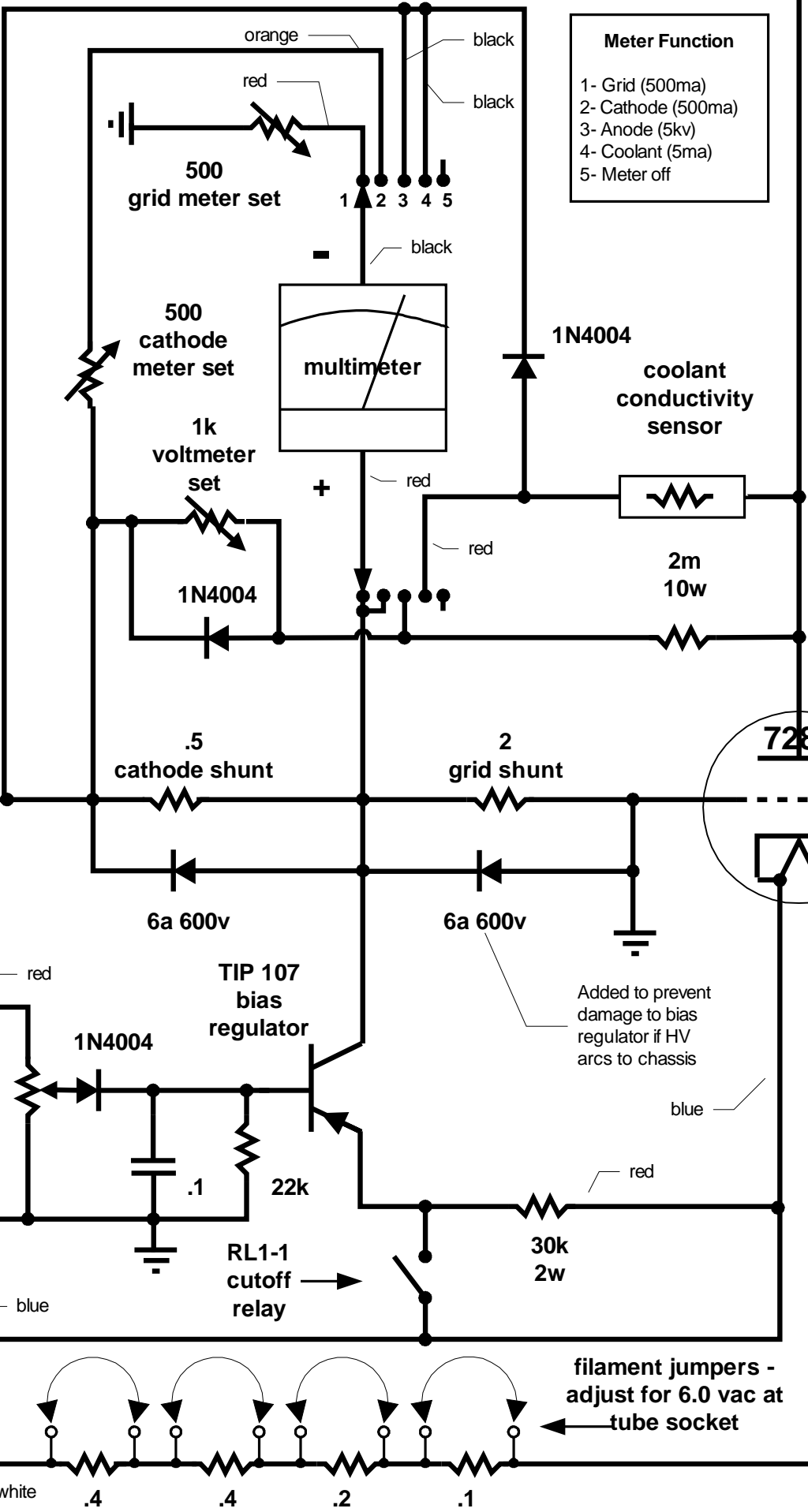


B+  
1350 vdc  
max

Meter Function	
1-	Grid (500ma)
2-	Cathode (500ma)
3-	Anode (5kv)
4-	Coolant (5ma)
5-	Meter off



main interconnect  
↓

B-

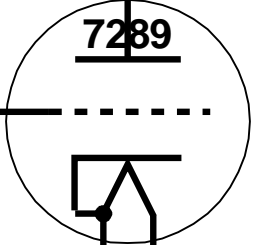
+28v

ground

E

filament  
6.3vac

F



7289

.4 .4 .2 .1

Added to prevent damage to bias regulator if HV arcs to chassis

filament jumpers -  
adjust for 6.0 vac at  
tube socket

